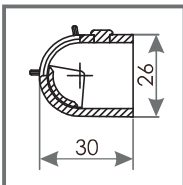
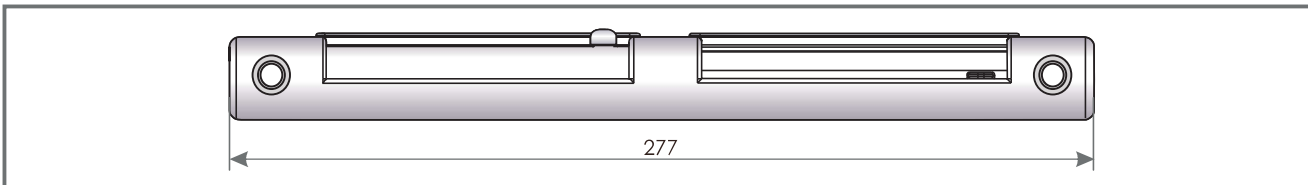


# MANUALLY SETTABLE AIR INLET VENTEC VT 601

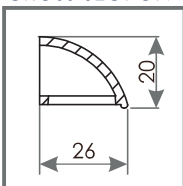
CROSS-SECTION VT 600



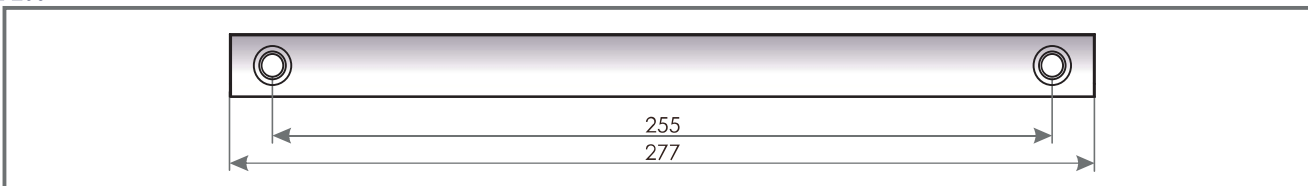
MANUALLY SETTABLE AIR INLET VT 600



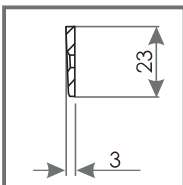
CROSS-SECTION OZ 200



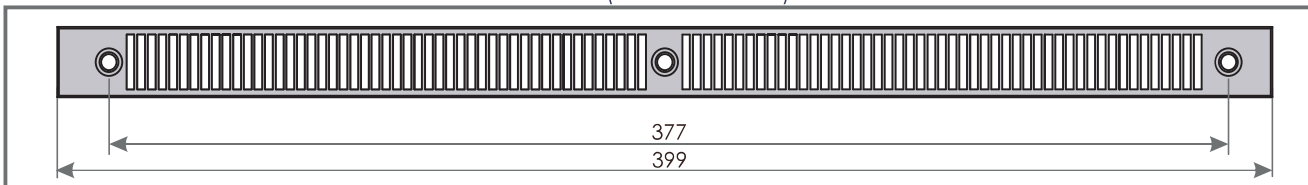
OUTER CANOPY OZ 200



CROSS-SECTION OZ 300



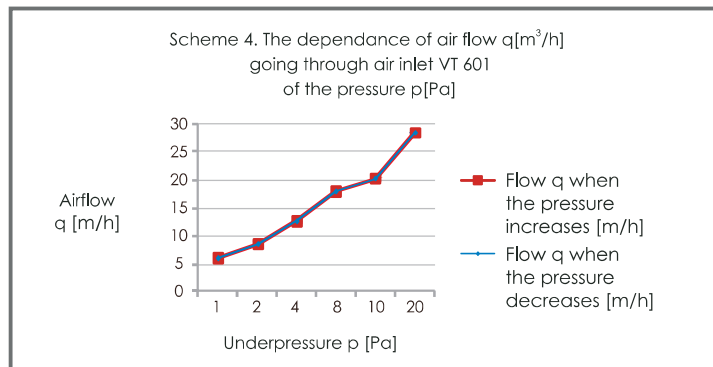
FLAT CANOPY (UNDER SHUTTERS) OZ 300



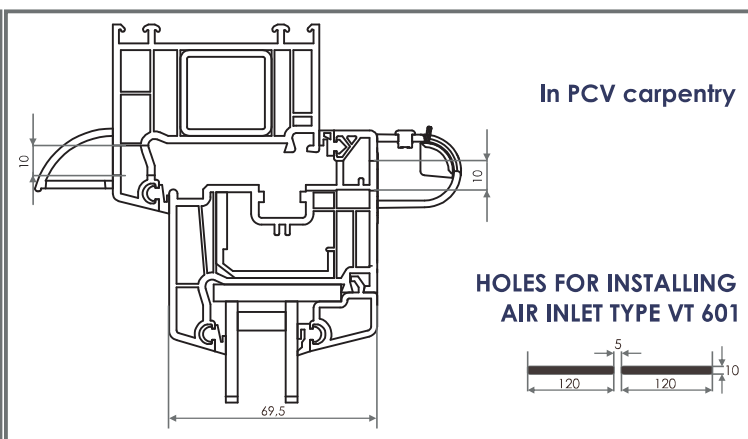
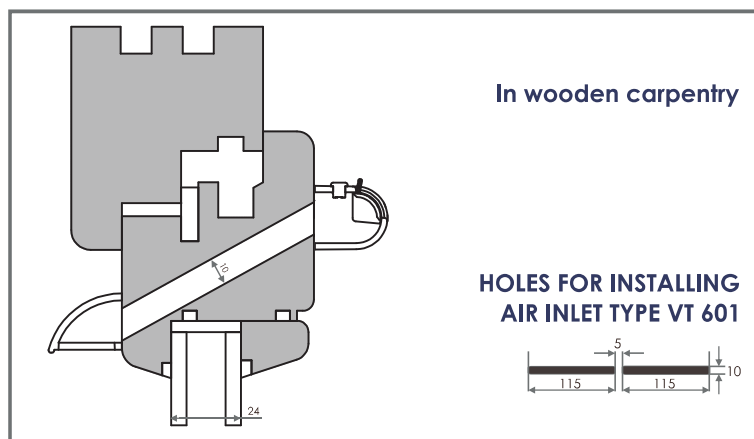
## TECHNICAL CHARACTERISTICS

Airflow	20 m <sup>3</sup> /h ( $\Delta p = 10$ Pa)
Airflow**	28 m <sup>3</sup> /h ( $\Delta p = 20$ Pa)
Acoustic open air inlet	$D_{n,e,w}(C;C_{tr}) = 33 (0; 1)$ dB
Acoustic closed air inlet	$D_{n,e,w}(C;C_{tr}) = 36 (0; 0)$ dB

\* For calculations of fresh air supply requirement for mechanical exhaust ventilation system, negative pressure of 20 Pa should be assumed.



## THE WAY OF INSTALLATION



## VENTEC VT 601 - shades variety

Symbol	VT601	VT612	VT613	VT614	VT615	VT622	VT623	VT624	VT625
Inner colour	RAL 9003	RAL 9003	RAL 9003	RAL 9003	RAL 9003	RAL 8001	RAL 8017	RAL 7012	RAL 7016
Outer colour	RAL 9003	RAL 8001	RAL 8017	RAL 7012	RAL 7016	RAL 8001	RAL 8017	RAL 7012	RAL 7016